

M12 SC MALE 90° / M12 FEMALE 90° LED

FEP-JB 5x0,38 bk 0.6m

Male 90° – female 90°

M12 – M12, 4-pole

3× LED (PNP), (NPN) on request

Stainless steel 1.4305 (V2A) PTFE coated

Art-No. 7005 - M12 Lite - (plastic hexagonal screw) on request

Plastic housings with good resistance against chemicals and oils.

The resistance to aggressive media should be individually tested for your application. Further details on request.

Further cable lengths on request.

[Link to Product](#)**Illustration**

Product may differ from Image

Form

Form 40428

General data

| | |
|-------------------|--|
| Pollution Degree | 3 |
| Material (gasket) | FKM |
| Temperature range | -25...+85 °C, depending on cable quality |

Cables

| | |
|---------------------------------|---|
| Cable number | 828 |
| No./diameter of wires | 5× AWG 22 |
| Wire isolation | FEP (br, wh, bl, bk, gnye) |
| Jacket Color | black |
| Material (jacket) | FEP |
| Outer Ø | 4.3 mm ±5% |
| Bend radius (moving) | 15× outer Ø |
| Cable identification | 828 |
| Approval (cable) | CE |
| Cable weight [g/m] | 40,70 |
| Material (wire) | Cu wire, tin plated |
| Resistor (core) | max. 52 Ω/km (20 °C) |
| Single wire Ø (core) | 0.160 mm |
| Construction (core) | 19× 0.160 mm |
| Diameter (core) | 5× AWG 22 |
| Material (wire isolation) | FEP |
| Shore hardness (wire isolation) | 55 ±5 D |
| Wire-Ø incl. isolation | 1.3 mm ±5% |
| Color/numbering of wires | br, bk, bl, wh, gnye longitudinally striped |
| Stranding combination | 5 wires twisted around central filler |

| | |
|----------------------------|---|
| Shield | no |
| Material (jacket) | FEP |
| Shore hardness (jacket) | 57 ±5 D |
| Outer-Ø (jacket) | 4.3 mm ±5% |
| Color (jacket) | black |
| chemical resistance | good resistance to oil, gasoline and chemicals (VDE 0472 Teil 803 Test B) |
| thermal resistance | flame retardant |
| Nominal voltage | 600 V AC |
| Test voltage | 2000 V AC |
| Current load capacity | to DIN VDE 0298-4 |
| Temperature range (fixed) | -100...+180 °C |
| Temperature range (mobile) | -100...+180 °C |
| Bend radius (fixed) | 7.5× outer Ø |
| Bend radius (moving) | 15× outer Ø |

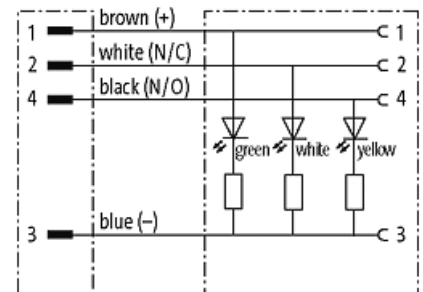
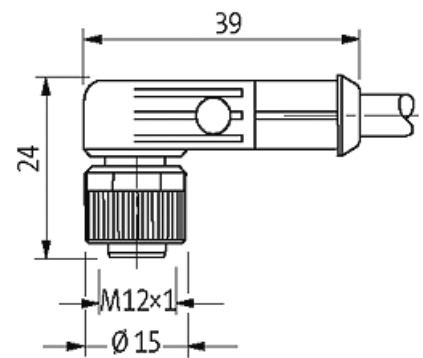
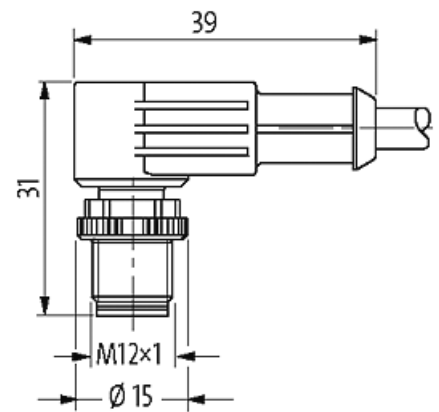
Technical Data

| | |
|---|--|
| Operating voltage | 24 V DC ±25% |
| Rated surge voltage | 0.8 kV |
| Operating current per contact | max. 4 A |
| Material group | IEC 60664-1, category I |
| Coding | A-coded |
| LED display | LED (green): Power / LED (yellow): (S1) / LED (white): Signal (S2) |
| Locking of ports | Screw thread (M12×1 mm) recommended torque 0.6 Nm, self-securing |
| Compression gland | M12 (SW13) |
| Protection | IP67 inserted and tightened (EN 60529) |
| Locking material | Stainless steel 1.4305 (V2A) PTFE coated |
| Material | PUR |
| suitable for corrugated tube (internal Ø) | 10 mm |

Commercial data

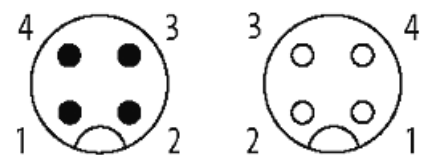
| | |
|-----------------------|---------------|
| country of origin | DE |
| customs tariff number | 85444290 |
| EAN | 4048879473873 |
| eClass | 27279218 |
| Packaging unit | 1 |

Sketch



Male

Female



Product may differ from Image